

# Optimization

## Upgrades for Rosenmund Side Discharge Filters and Filter Dryers

Volume Number 7-1

### Side Discharge Valve Upgrades

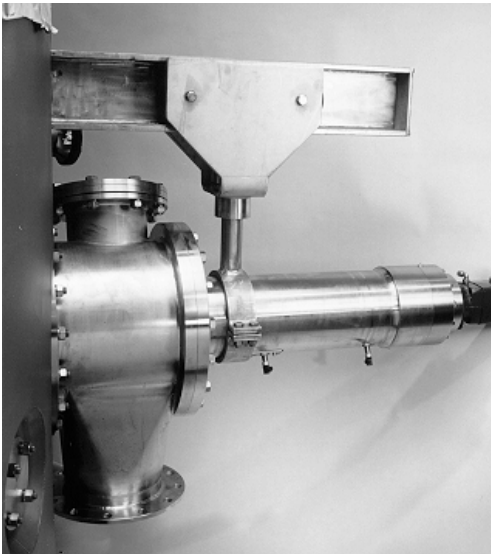
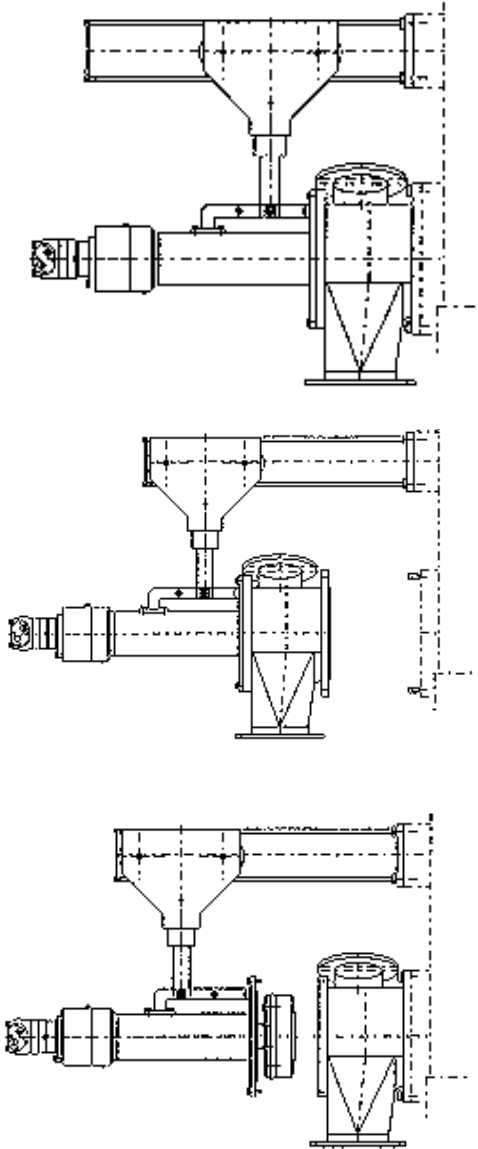
- Monorail System
- PTFE Bellows

#### Monorail System

Add a monorail system that allows your entire valve to be accessed for maintenance without the need for an additional lifting apparatus.

Allows access to vessel side seat ring for re-machining or replacement. Valve can also swivel 180 degrees.

Easy access to remove plug side metal seat ring in order to re-machine. Also allows for the replacement of the PTFE bellows.



A6.200.1 9/08



spare parts &  
support services

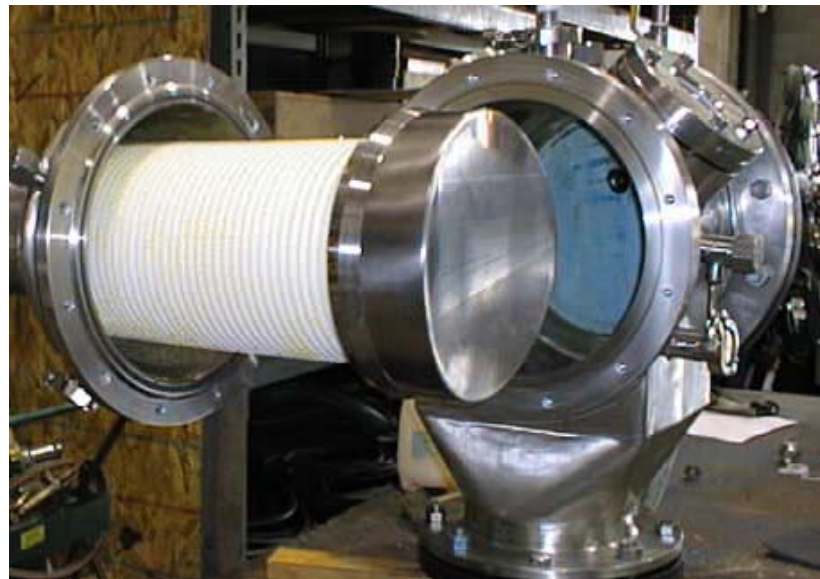
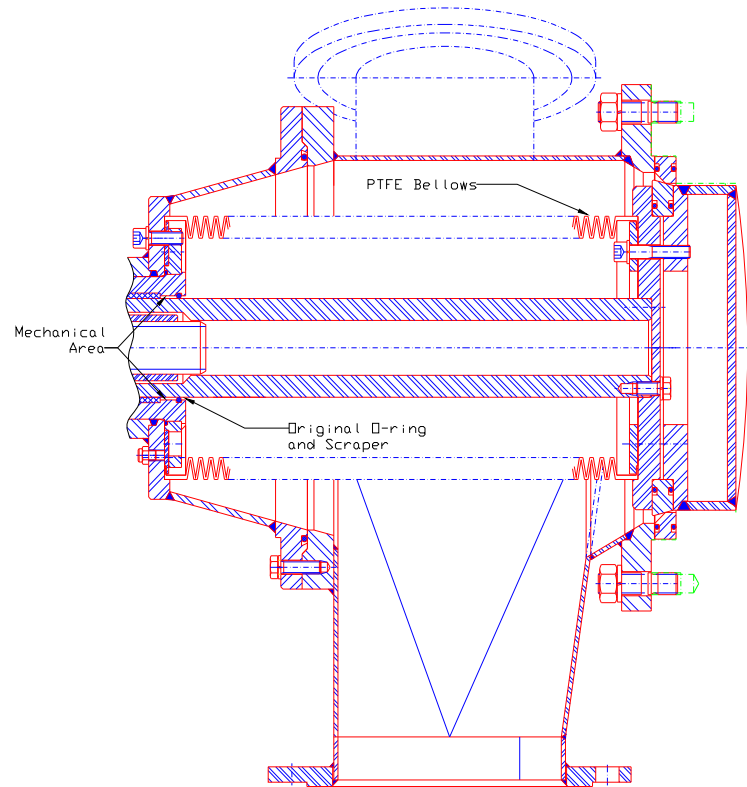
# Optimization

## **PTFE Bellows**

Install a PTFE bellows system that protects against products entering or channeling in and out of the impure mechanical area of the valve.

The bellows can also protect against product cross contamination and eliminate the need to disassemble and clean the valve shaft before changing campaigns.

The PTFE bellows can be easily adapted to your existing Side Discharge Valve.



Copyright © De Dietrich Process Systems, Inc. All rights reserved.

**244 SHEFFIELD STREET  
MOUNTAINSIDE NJ 07092  
FAX 908-889-4960**

**908-317-2585  
WWW.DDPSINC.COM  
EMAIL SALES@DDPSINC.COM  
De Dietrich**

**9110 FORSYTH PARK DRIVE  
CHARLOTTE NC 28273  
FAX 908-889 4960**



The information contained in this brochure is believed to be reliable general guidelines for consideration of the products and services described herein. The information is general in nature and should not be considered applicable to any specific process or application. De Dietrich Process Systems, Inc. expressly disclaims any warranty, expressed or implied of fitness for any specific purpose in connection with the information contained herein.