



# Optimization

## Upgrades for Rosenmund Side Discharge Filters and Filter Dryers

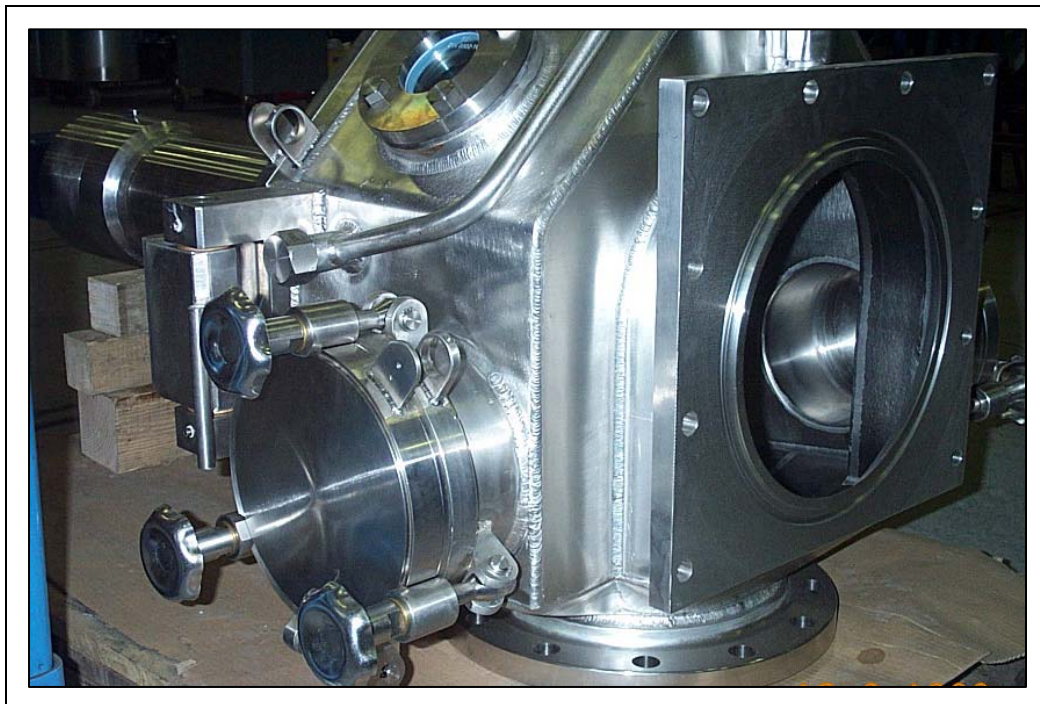
Volume Number 7-2

### Side Discharge Valve Upgrade

#### *Easy – Clean Discharge System*

Certain products can form a thin cake-like layer on the seal faces. When the valve is closed this product build-up can prevent the two faces from completely sealing.

Various cleaning procedures may affect containment of the system. Manual cleaning requires maintenance personnel to open the valve which adds more costs and down-time, in addition to the time required to manually clean the seal faces themselves.



A6.200.2 9/08



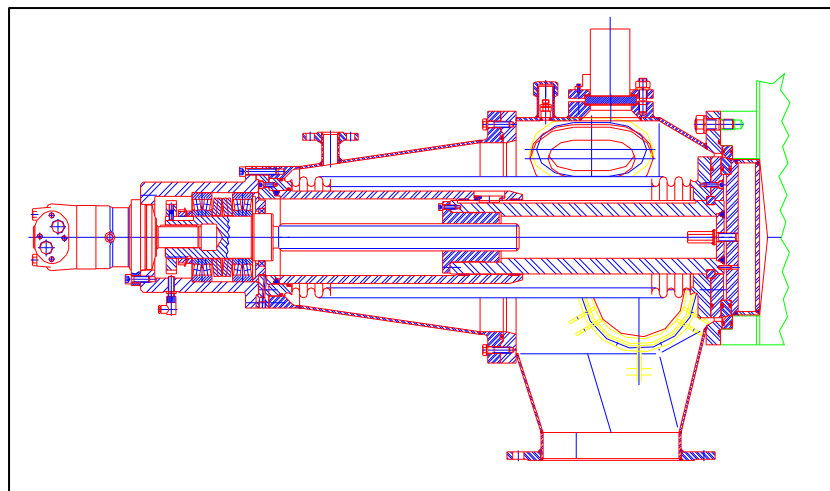
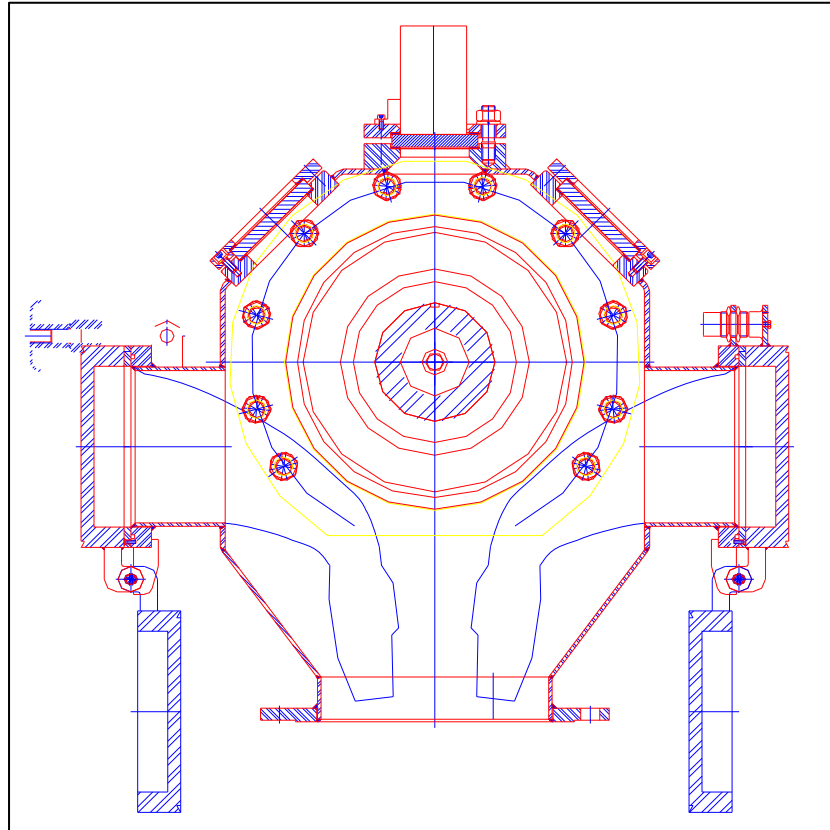
spare parts &  
support services

# Optimization

## *Easy-Clean Discharge System*

The ROSENMUND EASY-CLEAN discharge system allows operators to safely enter the valve housing area and clean the seal faces prior to pressure testing the vessel without breaking containment.

The Rosenmund side discharge system is the most innovative in today's market.



Copyright © De Dietrich Process Systems, Inc. All rights reserved.

244 SHEFFIELD STREET  
MOUNTAINSIDE NJ 07092  
FAX 908-889-4960

908-317-2585  
WWW.DDPSINC.COM  
EMAIL SALES@DDPSINC.COM  
De Dietrich 

9110 FORSYTH PARK DRIVE  
CHARLOTTE NC 28273  
FAX 908-889 4960



The information contained in this brochure is believed to be reliable general guidelines for consideration of the products and services described herein. The information is general in nature and should not be considered applicable to any specific process or application. De Dietrich Process Systems, Inc. expressly disclaims any warranty, expressed or implied of fitness for any specific purpose in connection with the information contained herein.