



GL-300 OptiMix 300 GALLON JACKETED GLASS-LINED STEEL REACTOR

Specifications

Vessel Design Pressure (psig)	130 and F.V.
Jacket Design Pressure (psig)	100 or 100 w/ Int. F.V.
Design Temperature (°F)	500
Jacket Heating Area (sq. ft.)	52

Dimensions (inches)

A	32 3/4
B	12 1/8
C	57
D	130 1/4
E	24 1/8
F (I.D.)	48
G (O.D.)	53 1/8
H (nozzle elevations):	
3" nozzle	11
4" nozzle	11 1/4
6" nozzle	12 1/4

Capacity (gallons)

Working	300
Total Volume	378
Head Volume	62
Per Inch Straight Side	8

Weight (pounds)

Bare Body (no accessories)	3,900
Complete (with drive system)	5,000
Add for Shipping	1,000

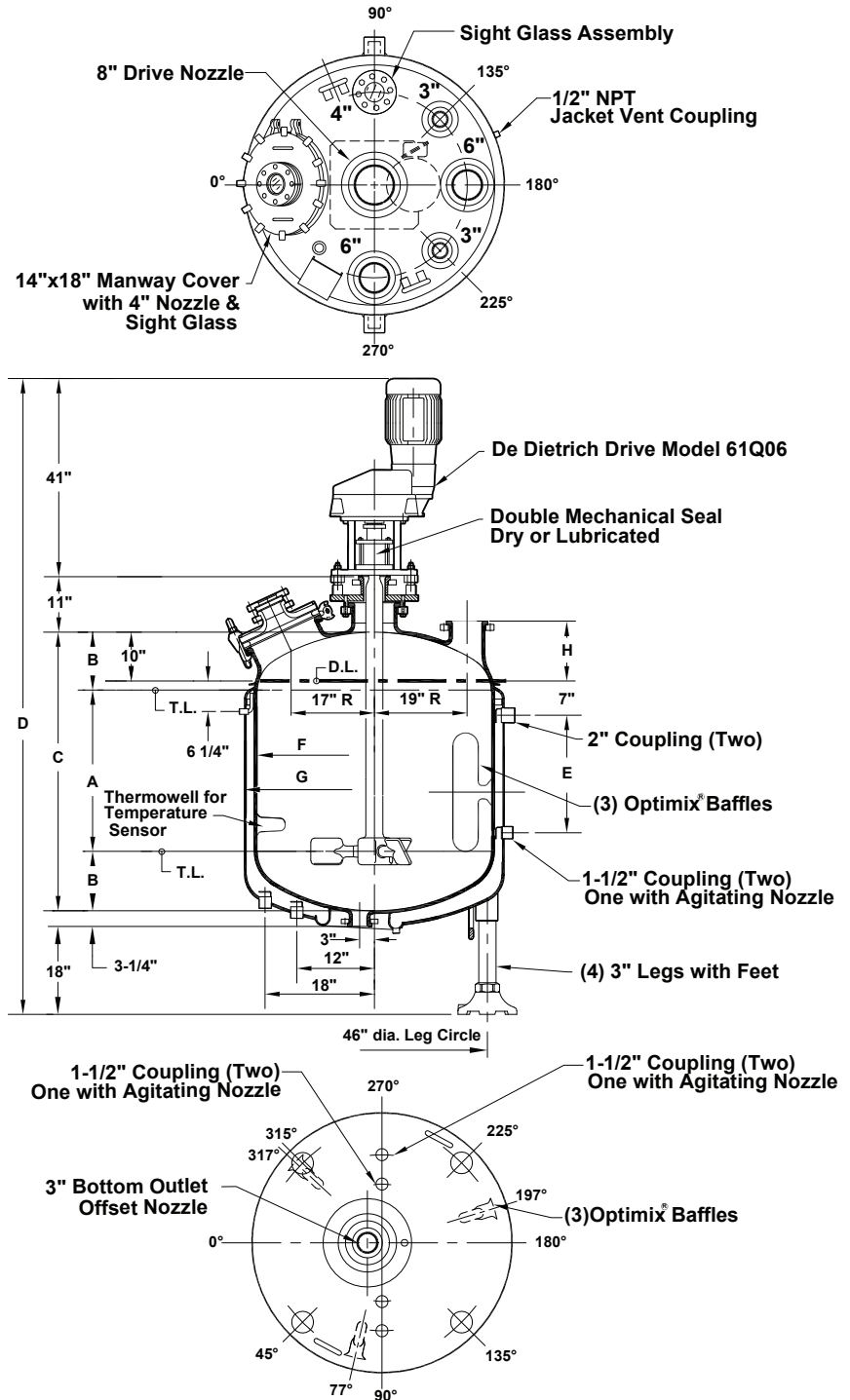
Series 60 Drive

Motor	3HP
Motor Type	XP
Drive Size	61Q06

- Three Year Warranty
- Low Noise Level
- Helical Gearing

GlasLock® Agitator

Span (inches)	26
Speed (standard speed)	125 RPM
• Clockwise Rotation	
• Optional Low Level Agitation	



✉ sales@ddpsinc.com ☎ 908 317 2585





GL-500 OptiMix 500 GALLON JACKETED GLASS-LINED STEEL REACTOR

Specifications

Vessel Design Pressure (psig)	130 and F.V.
Jacket Design Pressure (psig)	100 or 100 w/ Int. F.V.
Design Temperature (°F)	500
Jacket Heating Area (sq. ft.)	80

Dimensions (inches)

A	57 3/4
B	12 1/8
C	82
D	155 1/4
E	43
F (I.D.)	48
G (O.D.)	53 1/8
H (nozzle elevations)	
3"	11
4"	11 1/4
6"	12 1/4

Capacity (gallons)

Working	500
Total Volume	572
Head Volume	62
Per Inch Straight Side	8

Weight (pounds)

Bare Body (no accessories)	5,000
Complete (with drive system)	6,100
Add for Shipping	1,000

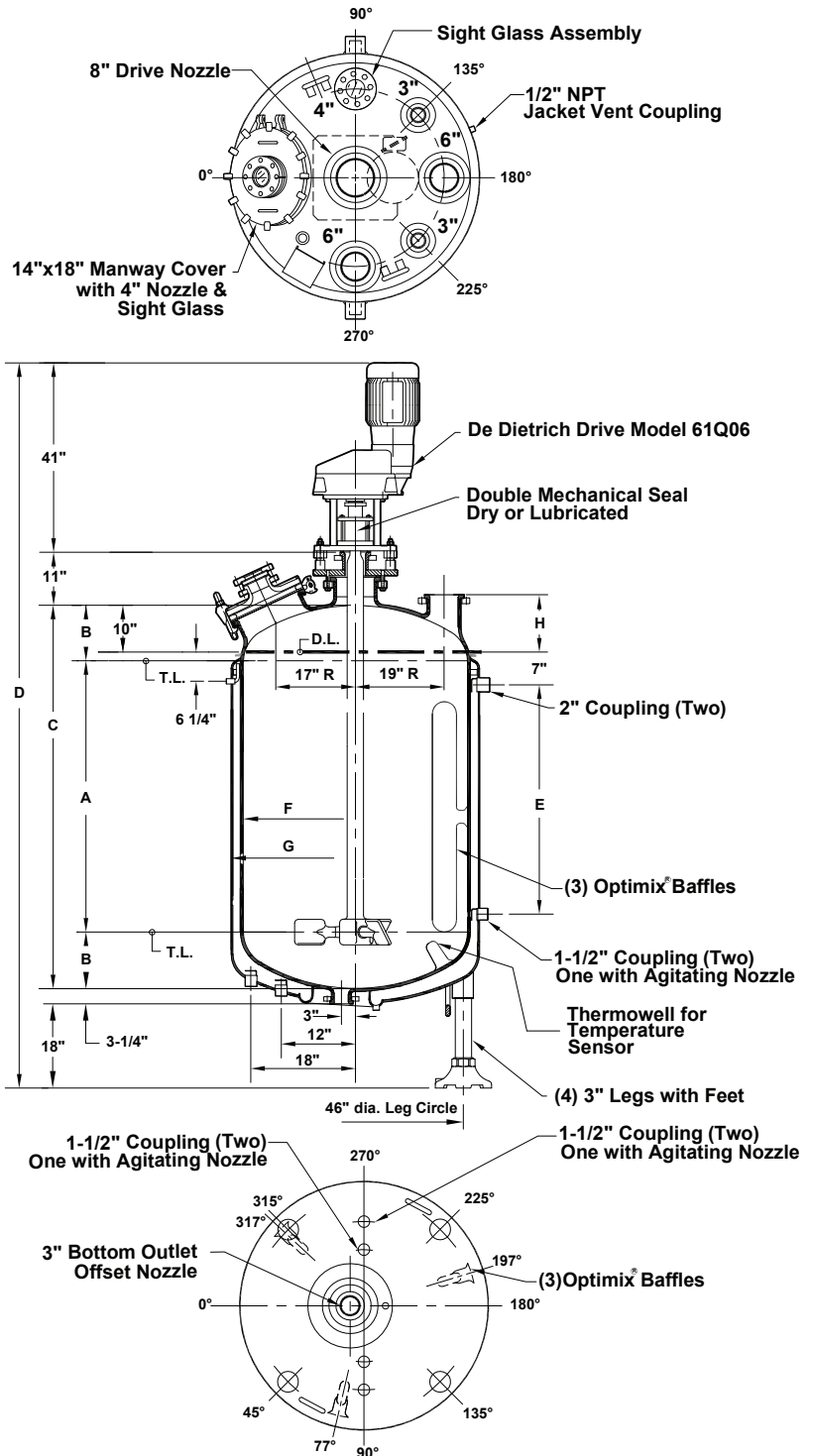
Series 60 Drive

Motor	5HP
Motor Type	XP
Drive Size	61Q06

- Three Year Warranty
- Low Noise Level
- Helical Gearing

GlasLock® Agitator

Span (inches)	26
Speed (standard speed)	125 RPM
• Clockwise Rotation	
• Optional Low Level Agitation	



sales@ddpsinc.com 908 317 2585



GL-750 OptiMix

750 GALLON JACKETED GLASS-LINED STEEL REACTOR

Specifications

Vessel Design Pressure (psig)	130 and F.V.
Jacket Design Pressure (psig)	90 or 90 w/ Int. F.V.
Design Temperature (°F)	500
Jacket Heating Area (sq. ft.)	100

Dimensions (inches)

A	50 ³ / ₄
B	15 ⁵ / ₈
C	82
D	162
E	24 ³ / ₄
F (I.D.)	61 ⁷ / ₁₆
G (O.D.)	66 ¹⁵ / ₁₆
H (nozzle elevations)	
4"	14
6"	14 ¹ / ₂
8"	15 ¹ / ₄

Capacity (gallons)

Working	750
Total Volume	907
Head Volume	129
Per Inch Straight Side	13

Weight (pounds)

Bare Body (no accessories)	7,100
Complete (with drive system)	8,300
Add for Shipping	1,000

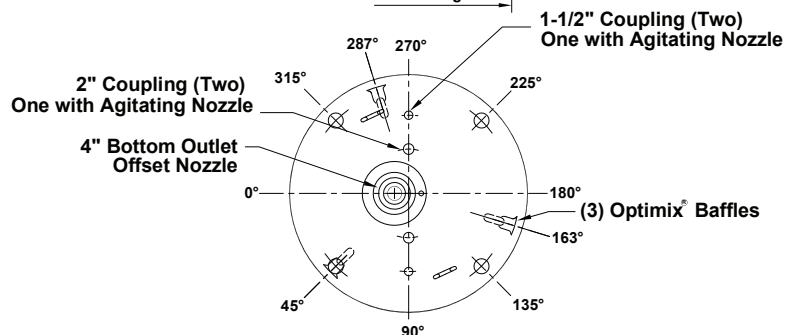
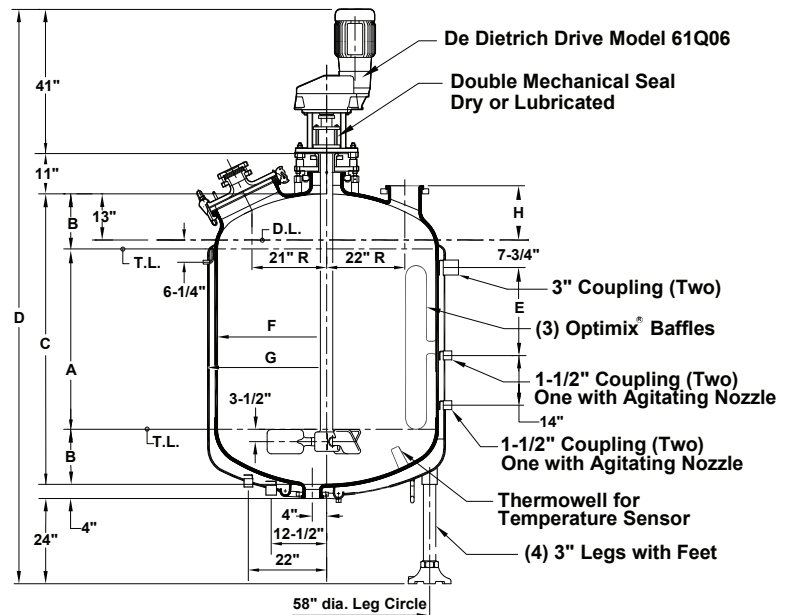
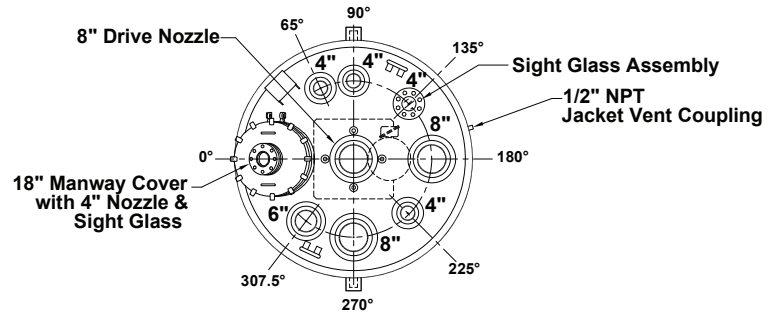
Series 60 Drive

Motor	7.5HP
Motor Type	XP
Drive Size	61Q06

- Three Year Warranty
- Low Noise Level
- Helical Gearing

GlasLock® Agitator

Span (inches)	29 ¹ / ₂
Speed (standard speed)	125 RPM
<ul style="list-style-type: none"> • Clockwise Rotation • Optional Low Level Agitation 	





GL-1000 OptiMix 1,000 GALLON JACKETED GLASS-LINED STEEL REACTOR

Specifications

Vessel Design Pressure (psig)	130 and F.V.
Jacket Design Pressure (psig)	90 or 90 w/ Int. F.V.
Design Temperature (°F)	500
Jacket Heating Area (sq. ft.)	127

Dimensions (inches)

A	70 ³ / ₄
B	15 ⁵ / ₈
C	102
D	184 ¹ / ₂
E	38 ³ / ₄
F (I.D.)	61 ⁷ / ₁₆
G (O.D.)	66 ¹⁵ / ₁₆
H (nozzle elevations)	
4"	14
6"	14 ¹ / ₂
8"	15 ¹ / ₄

Capacity (gallons)

Working	1,000
Total Volume	1,163
Head Volume	129
Per Inch Straight Side	13

Weight (pounds)

Bare Body (no accessories)	8,300
Complete (with drive system)	9,900
Add for Shipping	1,500

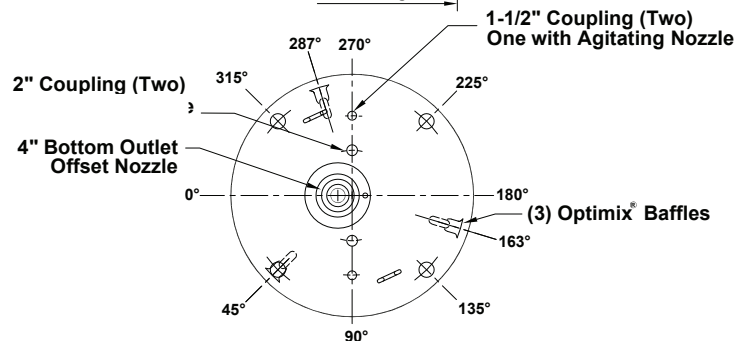
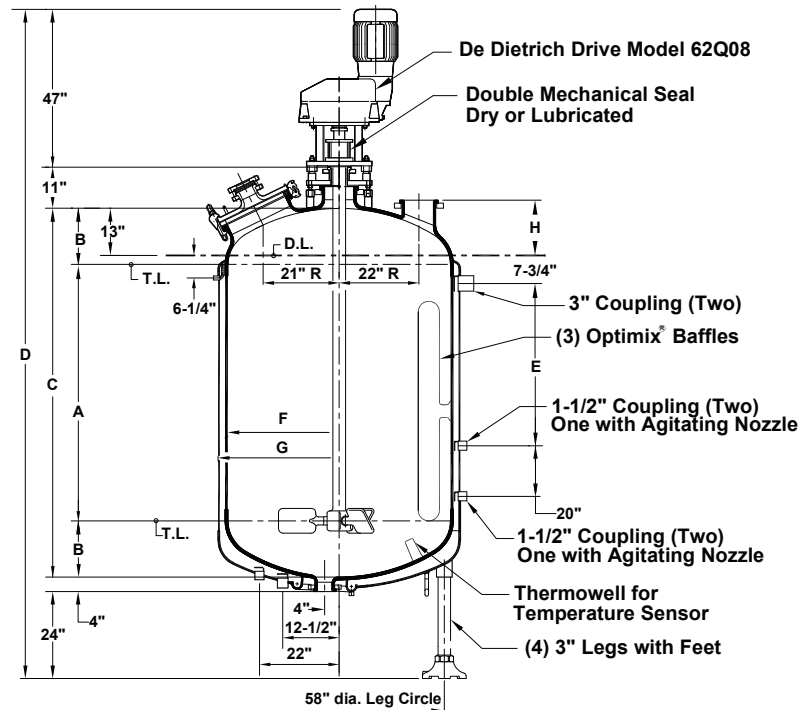
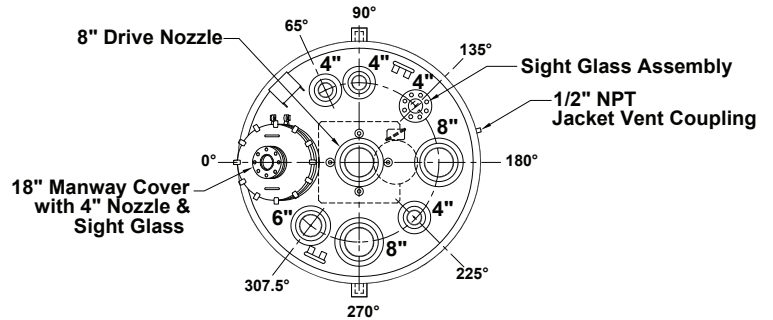
Series 60 Drive

Motor	10HP
Motor Type	XP
Drive Size	62Q08

- Three Year Warranty
- Low Noise Level
- Helical Gearing

GlasLock® Agitator

Span (inches)	29 ¹ / ₂
Speed (standard speed)	125 RPM
• Clockwise Rotation	
• Optional Low Level Agitation	



✉ sales@ddpsinc.com ☎ 908 317 2585





GL-1500 OptiMix 1,500 GALLON JACKETED GLASS-LINED STEEL REACTOR

Specifications

Vessel Design Pressure (psig)	130 and F.V.
Jacket Design Pressure (psig)	90 or 90 w/ Int. F.V.
Design Temperature (°F)	500
Jacket Heating Area (sq. ft.)	159

Dimensions (inches)

A	65
B	19 1/2
C	104
D	186 7/8
E	34 1/4
F (I.D.)	76 7/8
G (O.D.)	82 11/16
H (nozzle elevations)	
4"	16
6"	17
8"	17 1/4
10"	18

Capacity (gallons)

Working	1,500
Total Volume	1,810
Head Volume	254
Per Inch Straight Side	20

Weight (pounds)

Bare Body (no accessories)	12,500
Complete (with drive system)	14,200
Add for Shipping	1,500

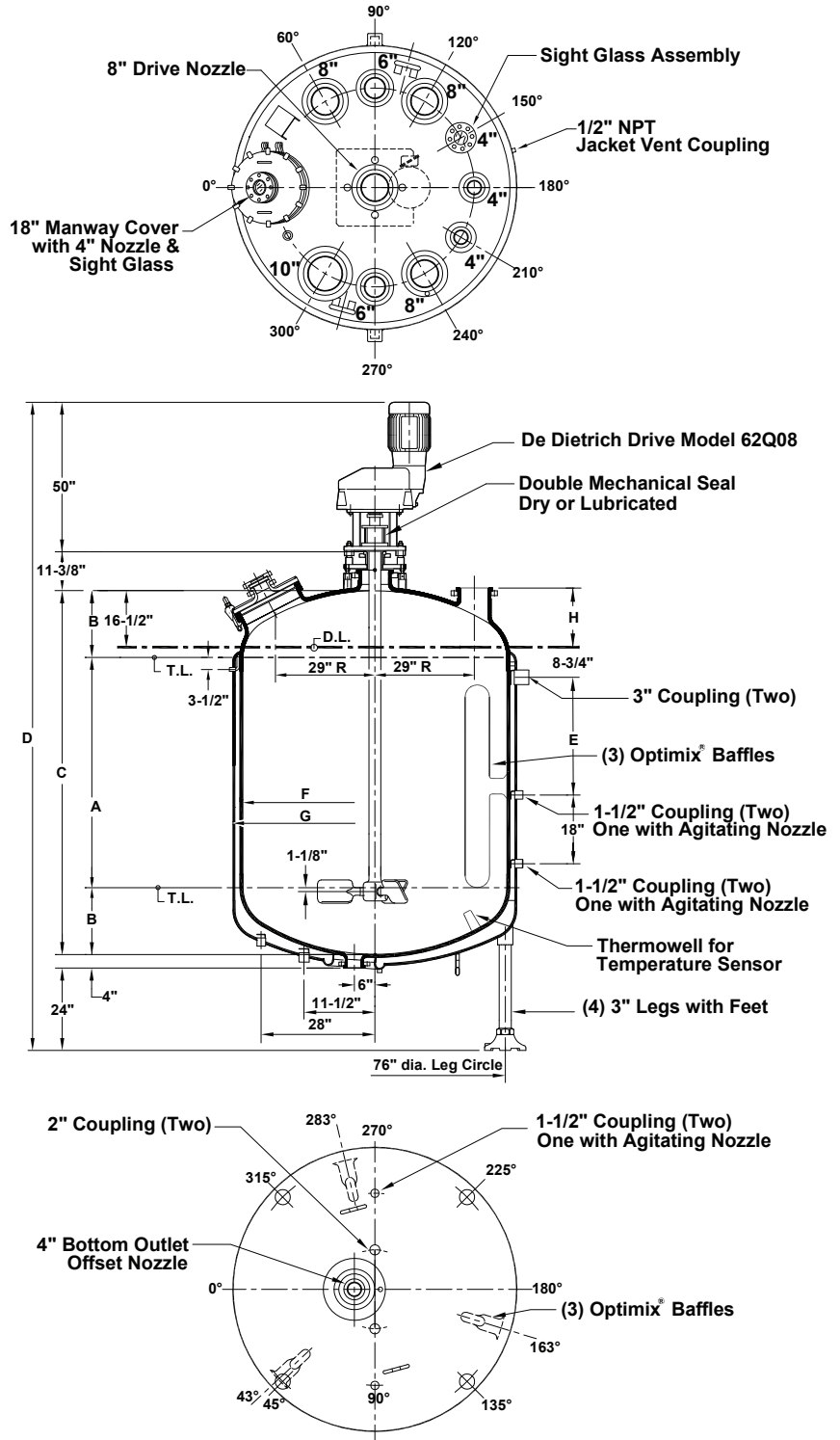
Series 60 Drive

Motor	15HP
Motor Type	XP
Drive Size	62Q08

- Three Year Warranty
- Low Noise Level
- Helical Gearing

GlasLock® Agitator

Span (inches)	33 1/2
Speed (standard speed)	125 RPM
• Clockwise Rotation	
• Optional Low Level Agitation	



sales@ddpsinc.com 908 317 2585





GL-2000 OptiMix 2,000 GALLON JACKETED GLASS-LINED STEEL REACTOR

Specifications

Vessel Design Pressure (psig)	130 and F.V.
Jacket Design Pressure (psig)	90 or 90 w/ Int. F.V.
Design Temperature (°F)	500
Jacket Heating Area (sq. ft.)	192

Dimensions (inches)

A	84
B	19 1/2
C	123
D	205 7/8
E	51 1/4
F (I.D.)	76 7/8
G (O.D.)	82 11/16
H (nozzle elevations)	
4"	16
6"	17
8"	17 1/4
10"	18

Capacity (gallons)

Working	2,000
Total Volume	2,190
Head Volume	254
Per Inch Straight Side	20

Weight (pounds)

Bare Body (no accessories)	14,165
Complete (with drive system)	16,050
Add for Shipping	1,500

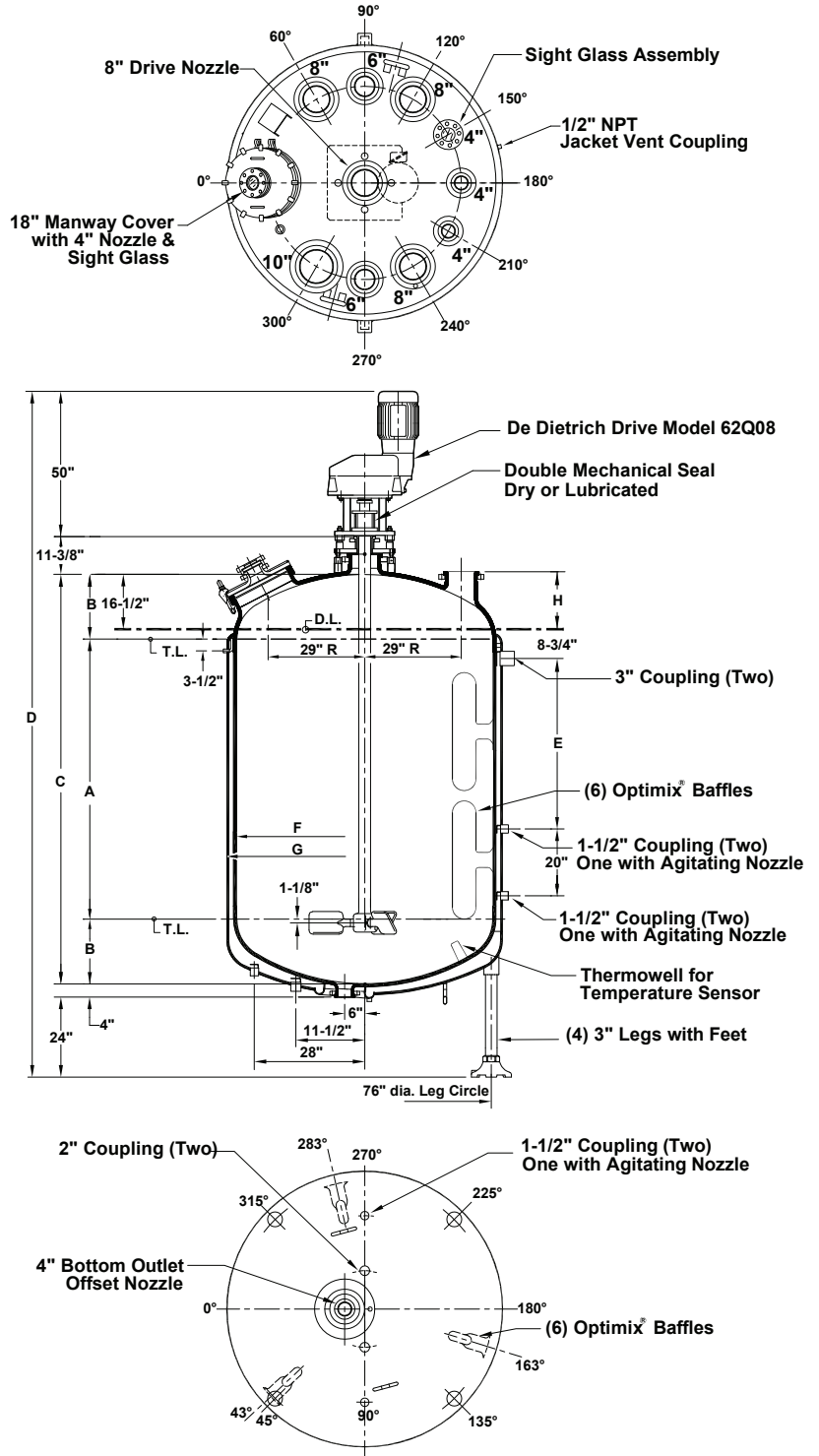
Series 60 Drive

Motor	15HP
Motor Type	XP
Drive Size	62Q08

- Three Year Warranty
- Low Noise Level
- Helical Gearing

GlasLock® Agitator

Span (inches)	33 1/2
Speed (standard speed)	125 RPM
<ul style="list-style-type: none"> • Clockwise Rotation • Optional Low Level Agitation 	



sales@ddpsinc.com 908 317 2585





GL-3000 OptiMix 3,000 GALLON JACKETED GLASS-LINED STEEL REACTOR

Specifications

Vessel Design Pressure (psig)	130 and F.V.
Jacket Design Pressure (psig)	90 or 90 w/ Int. F.V.
Design Temperature (°F)	500
Jacket Heating Area (sq. ft.)	241

Dimensions (inches)

A	76
B	24 1/2
C	125
D	220
E	43
F (I.D.)	96 9/16
G (O.D.)	102 3/8
H (nozzle elevations)	
4"	18
6"	18 3/4
8"	19 1/4
10"	20

Capacity (gallons)

Working	3,000
Total Volume	3,398
Head Volume	501
Per Inch Straight Side	32

Weight (pounds)

Bare Body (no accessories)	23,350
Complete (with drive system)	25,750
Add for Shipping	1,500

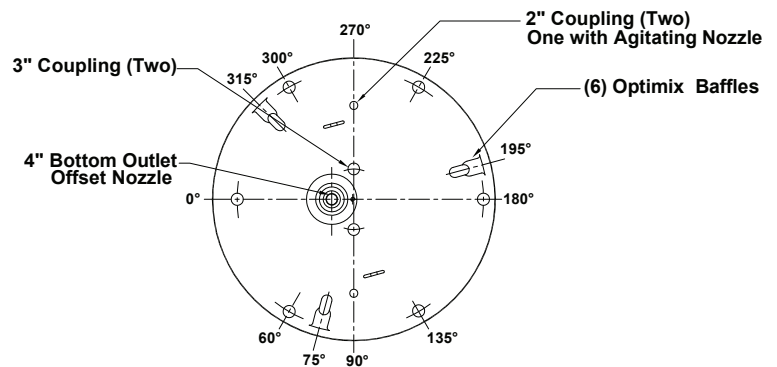
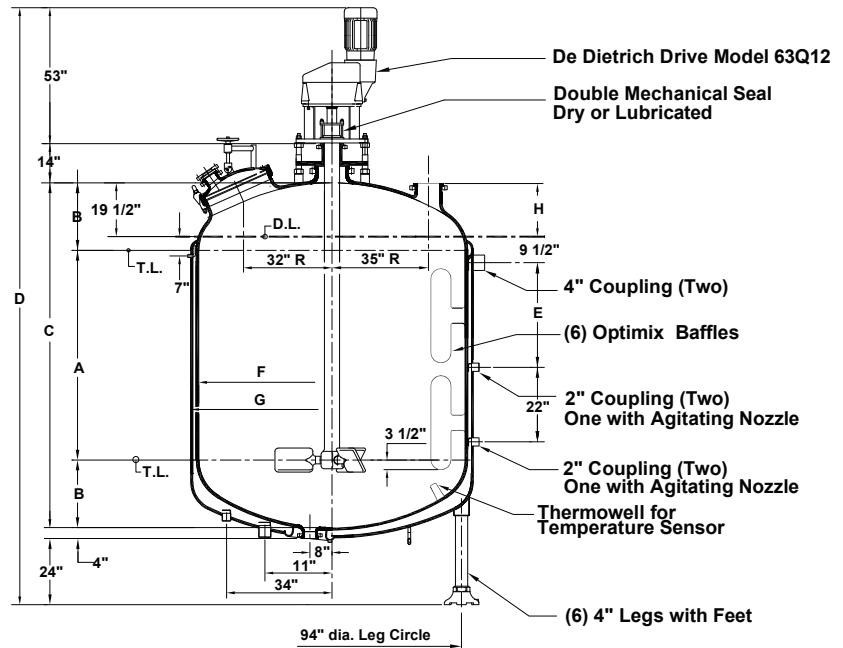
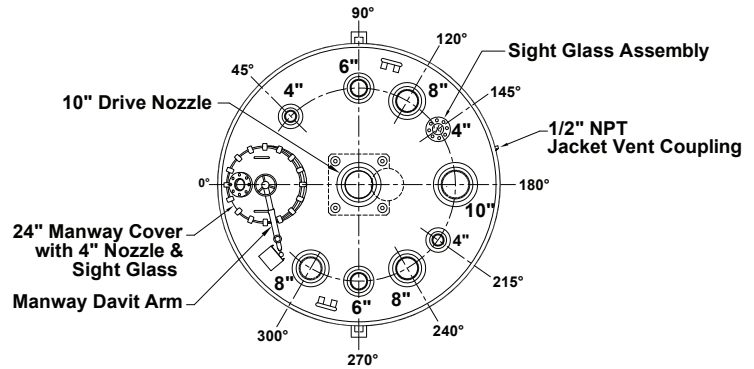
Series 60 Drive

Motor	20HP
Motor Type	XP
Drive Size	63Q12

- Three Year Warranty
- Low Noise Level
- Helical Gearing

GlasLock® Agitator

Span (inches)	41 3/8
Speed (standard speed)	100 RPM
• Clockwise Rotation	
• Optional Low Level Agitation	



sales@ddpsinc.com 908 317 2585





GL-4000 OptiMix 4,000 GALLON JACKETED GLASS-LINED STEEL REACTOR

Specifications

Vessel Design Pressure (psig)	130 and F.V.
Jacket Design Pressure (psig)	90 or 90 w/ Int. F.V.
Design Temperature (°F)	500
Jacket Heating Area (sq. ft.)	310

Dimensions (inches)

A	108
B	24 1/2
C	157
D	256
E	63
F (I.D.)	96 9/16
G (O.D.)	102 3/8
H (nozzle elevations)	
4"	18
6"	18 3/4
8"	19 1/4
10"	20

Capacity (gallons)

Working	4,000
Total Volume	4,406
Head Volume	501
Per Inch Straight Side	32

Weight (pounds)

Bare Body (no accessories)	28,100
Complete (with drive system)	31,050
Add for Shipping	1,500

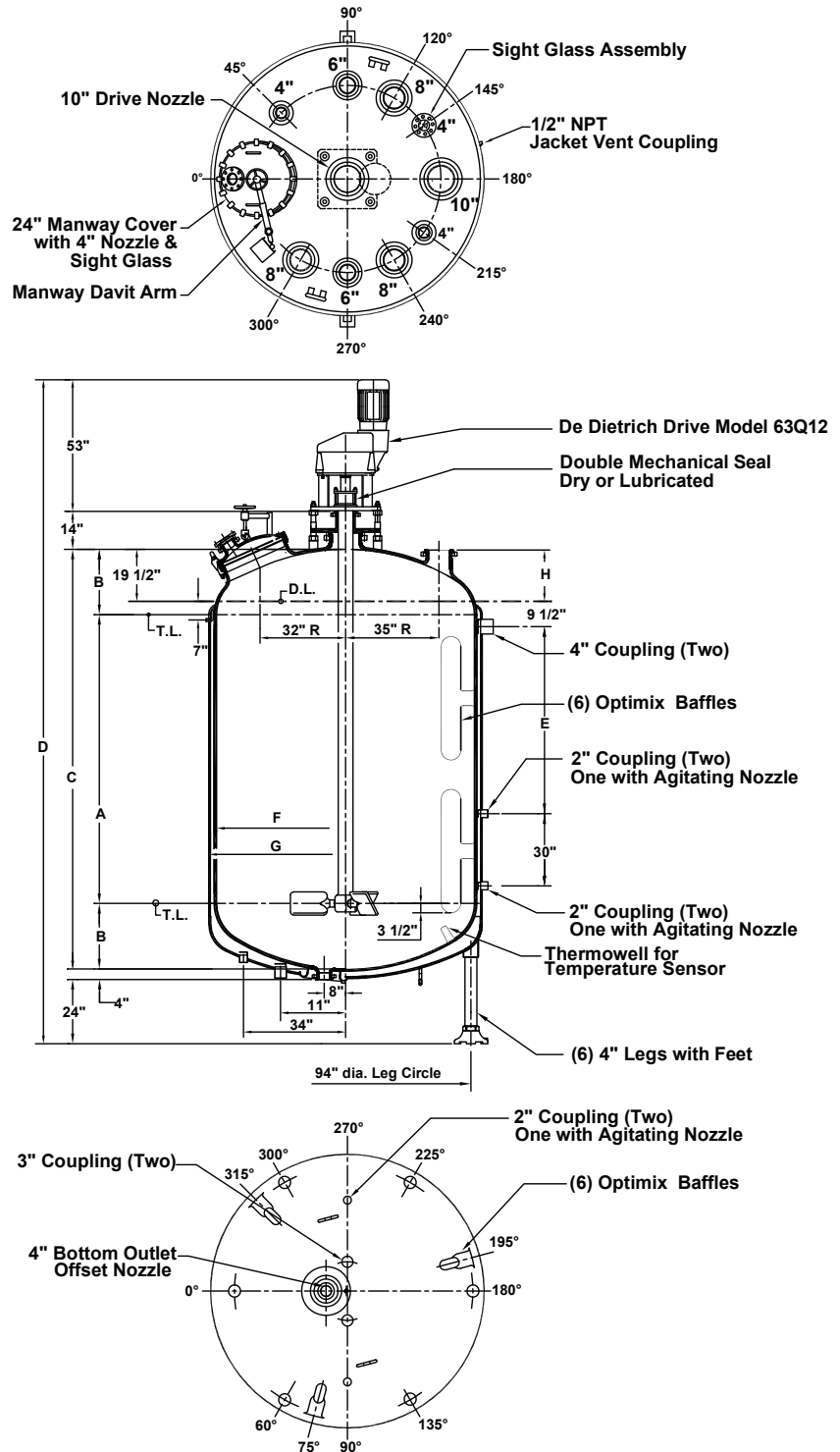
Series 60 Drive

Motor	20HP
Motor Type	XP
Drive Size	63Q12

- Three Year Warranty
- Low Noise Level
- Helical Gearing

GlasLock® Agitator

Span (inches)	41 3/8
Speed (standard speed)	100 RPM
<ul style="list-style-type: none"> • Clockwise Rotation • Optional Low Level Agitation 	



✉ sales@ddpsinc.com ☎ 908 317 2585

