

SA-300 OptiMix

300 GALLON JACKETED GLASS-LINED STEEL REACTOR

Specifications

Vessel Design Pressure (psig)	100 and F.V.
Jacket Design Pressure (psig)	100 or 100 w/ Int. F.V.
Design Temperature (°F)	500
Jacket Heating Area (sq. ft.)	52

Dimensions (inches)

A	32 3/4
B	12 1/8
C	57
D	130 1/4
E	24 1/8
F (I.D.)	48
G (O.D.)	53 1/8
H (nozzle elevations):	
2" nozzle (on the cover)	19
3" nozzle	11
4" nozzle	11 1/4
6" nozzle	12 1/4

Capacity (gallons)

Working	300
Total Volume	378
Head Volume	62
Per Inch Straight Side	7.83

Weight (pounds)

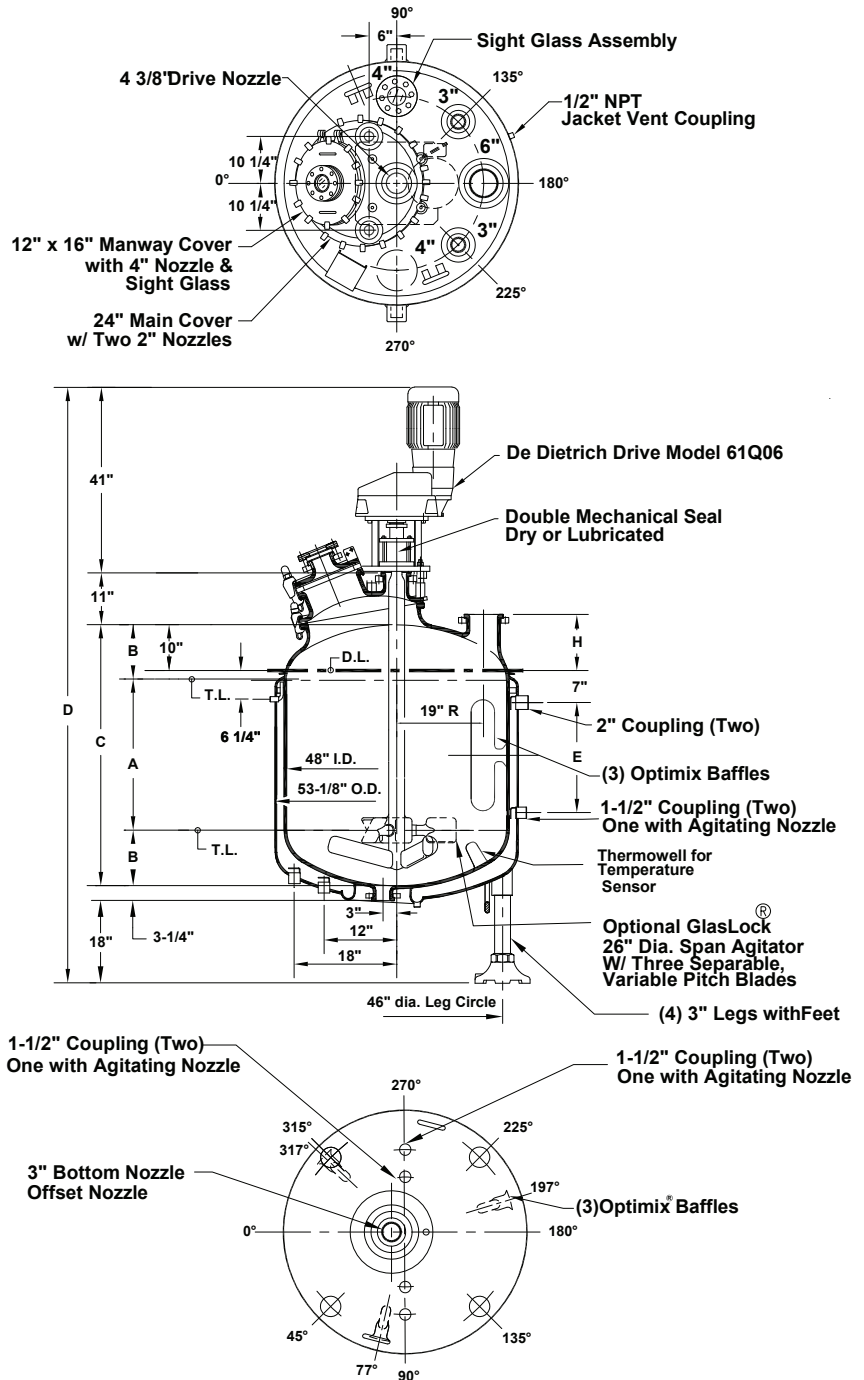
Bare Body (no accessories)	3,900
Complete (with drive system)	5,000
Add for Shipping	1,000

Series 60 Drive

Motor	3HP
Motor Type	XP
Drive Size	61Q06
<ul style="list-style-type: none"> • Three Year Warranty • Low Noise Level • Helical Gearing 	

GlasLock® Agitator or Retreat Curve Impeller

Span (inches)	26/36
Speed (standard speed)	125 RPM
<ul style="list-style-type: none"> • Clockwise or Counterclockwise Rotation • Optional Low Level Agitation 	





SA-500 OptiMix 500 GALLON JACKETED GLASS-LINED STEEL REACTOR

Specifications

Vessel Design Pressure (psig)	100 and F.V.
Jacket Design Pressure (psig)	100 or 100 w/ Int. F.V.
Design Temperature (°F)	500
Jacket Heating Area (sq. ft.)	80

Dimensions (inches)

A	57 3/4
B	12 1/8
C	82
D	155 1/4
E	43
F (I.D.)	48
G (O.D.)	53 1/8
H (nozzle elevations):	
2" nozzle (on the cover)	19
3" nozzle	11
4" nozzle	11 1/4
6" nozzle	12 1/4

Capacity (gallons)

Working	500
Total Volume	572
Head Volume	62
Per Inch Straight Side	7.83

Weight (pounds)

Bare Body (no accessories)	5,000
Complete (with drive system)	6,100
Add for Shipping	1,000

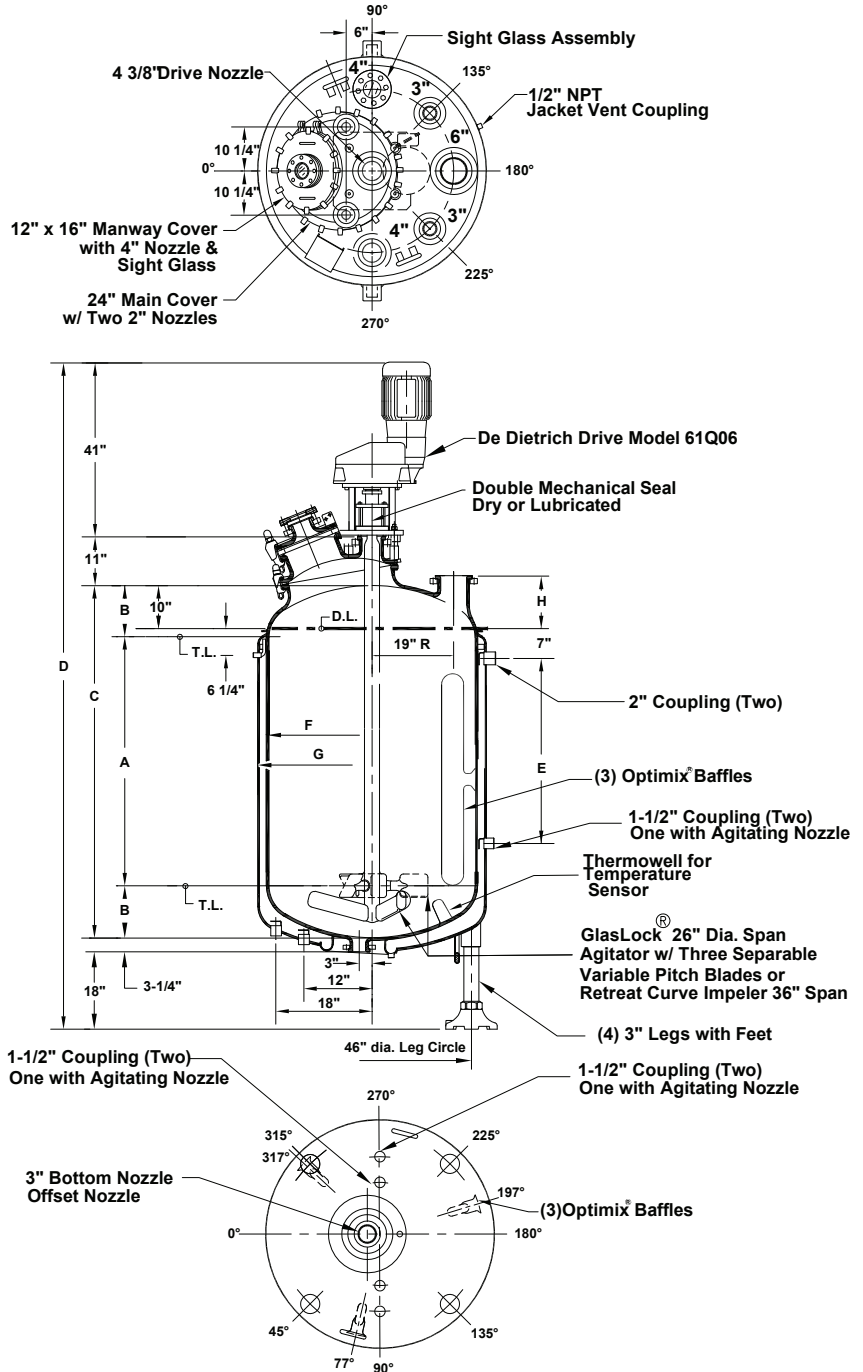
Series 60 Drive

Motor	5HP
Motor Type	XP
Drive Size	61Q06

- Three Year Warranty
- Low Noise Level
- Helical Gearing

GlasLock® Agitator or Retreat Curve Impeller

Span (inches)	26/36
Speed (standard speed)	125 RPM
<ul style="list-style-type: none"> • Clockwise or Counterclockwise Rotation • Optional Low Level Agitation 	



✉ sales@ddpsinc.com ☎ 908 317 2585



SA-750 OptiMix

750 GALLON JACKETED GLASS-LINED STEEL REACTOR

Specifications

Vessel Design Pressure (psig)	100 and F.V.
Jacket Design Pressure (psig)	90 or 90 w/ Int. F.V.
Design Temperature (°F)	500
Jacket Heating Area (sq. ft.)	100

Dimensions (inches)

A	50 ³ / ₄
B	15 ⁵ / ₈
C	82
D	162
E	24 ³ / ₄
F (I.D.)	61 ⁷ / ₁₆
G (O.D.)	66 ¹⁵ / ₁₆
H (nozzle elevations):	
3" nozzle (on the cover)	22 ¹ / ₄
4" nozzle	14
8" nozzle	15 ¹ / ₄

Capacity (gallons)

Working	750
Total Volume	907
Head Volume	130
Per Inch Straight Side	12.8

Weight (pounds)

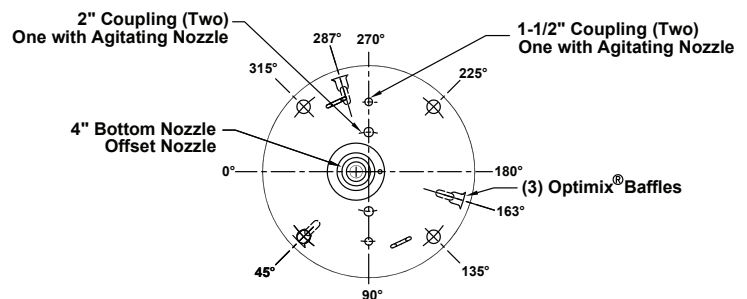
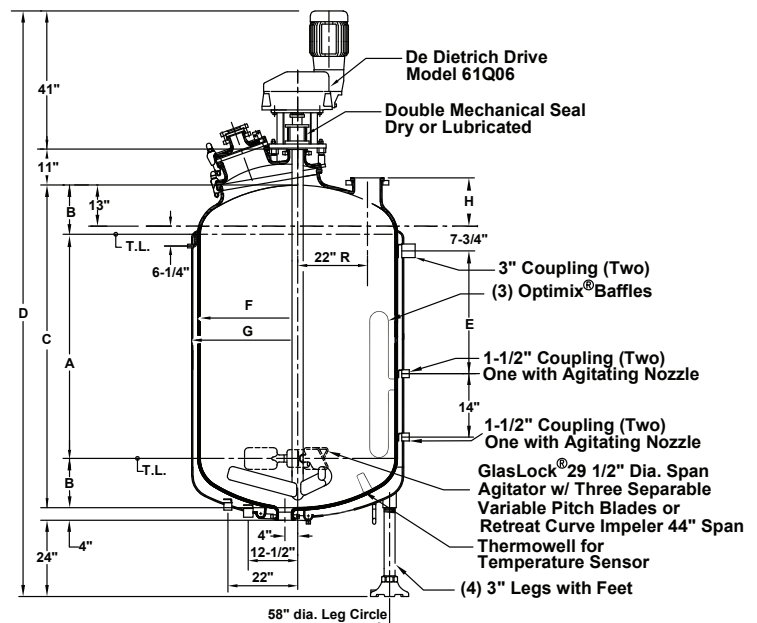
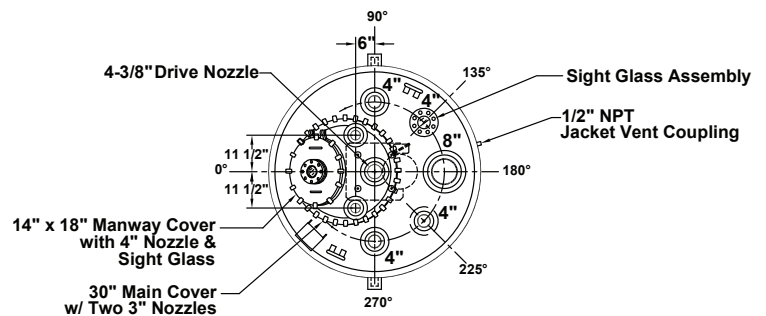
Bare Body (no accessories)	7,100
Complete (with drive system)	8,300
Add for Shipping	1,000

Series 60 Drive

Motor	7 ¹ / ₂ HP
Motor Type	XP
Drive Size	61Q06
<ul style="list-style-type: none"> • Three Year Warranty • Low Noise Level • Helical Gearing 	

GlasLock® Agitator or Retreat Curve Impeller

Span (inches)	29 ¹ / ₂ / 44
Speed (standard speed)	125 RPM
<ul style="list-style-type: none"> • Clockwise or Counterclockwise Rotation • Optional Low Level Agitation 	





SA-1000 OptiMix 1,000 GALLON JACKETED GLASS-LINED STEEL REACTOR

Specifications

Vessel Design Pressure (psig)	100 and F.V.
Jacket Design Pressure (psig)	90 or 90 w/ Int. F.V.
Design Temperature (°F)	500
Jacket Heating Area (sq. ft.)	127

Dimensions (inches)

A	70 ³ / ₄
B	15 ⁵ / ₈
C	102
D	184 ¹ / ₂
E	38 ³ / ₄
F (I.D.)	61 ⁷ / ₁₆
G (O.D.)	66 ¹⁵ / ₁₆
H (nozzle elevations):	
3" nozzle (on the cover)	22 ¹ / ₄
4" nozzle	14
8" nozzle	15 ¹ / ₄

Capacity (gallons)

Working	1,000
Total Volume	1,163
Head Volume	130
Per Inch Straight Side	12.8

Weight (pounds)

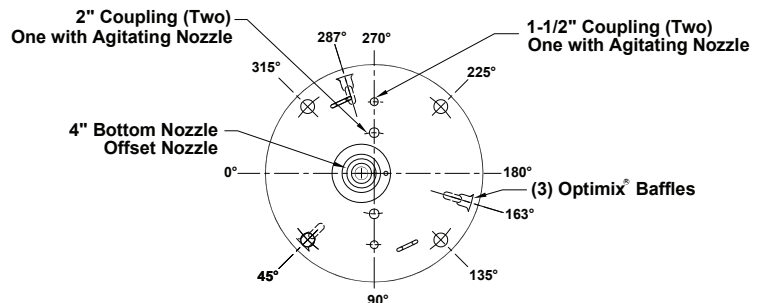
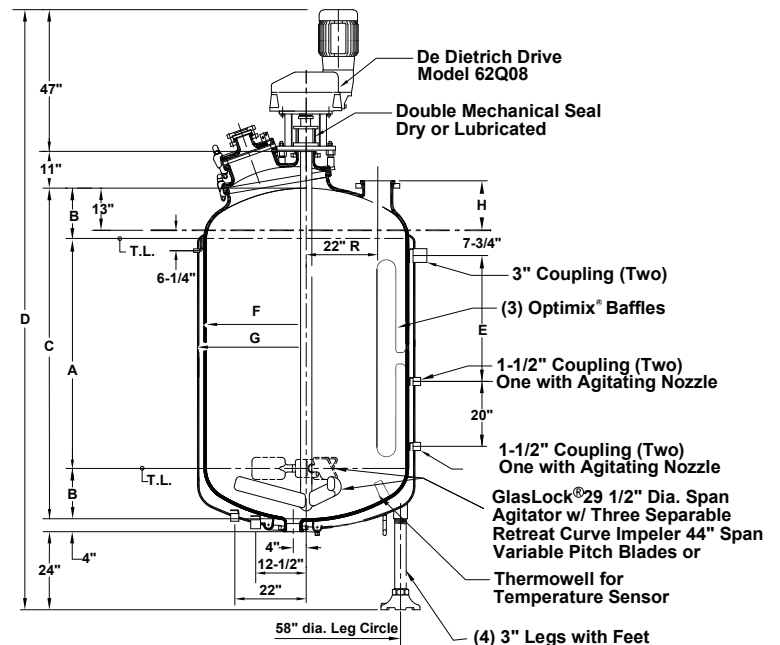
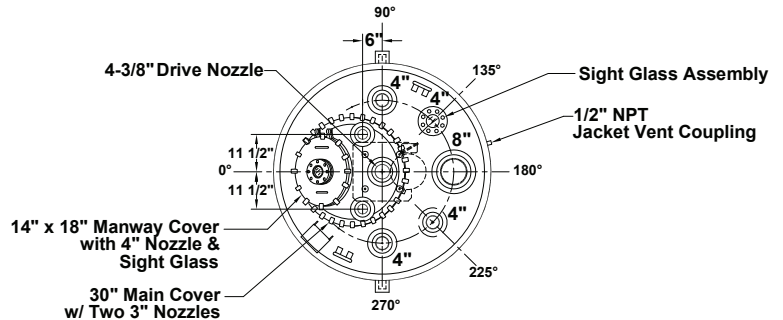
Bare Body (no accessories)	8,300
Complete (with drive system)	9,900
Add for Shipping	1,500

Series 60 Drive

Motor	10HP
Motor Type	XP
Drive Size	62Q08
<ul style="list-style-type: none"> • Three Year Warranty • Low Noise Level • Helical Gearing 	

GlasLock® Agitator or Retreat Curve Impeller

Span (inches)	29 ¹ / ₂ / 44
Speed (standard speed)	125 RPM
<ul style="list-style-type: none"> • Clockwise or Counterclockwise Rotation • Optional Low Level Agitation 	



✉ sales@ddpsinc.com ☎ 908 317 2585





SA-1500 OptiMix 1,500 GALLON JACKETED GLASS-LINED STEEL REACTOR

Specifications

Vessel Design Pressure (psig)	100 and F.V.
Jacket Design Pressure (psig)	90 or 90 w/ Int. F.V.
Design Temperature (°F)	500
Jacket Heating Area (sq. ft.)	159

Dimensions (inches)

A	65
B	19 1/2
C	104
D	187
E	34 1/4
F (I.D.)	76 7/8
G (O.D.)	82 11/16
H (nozzle elevations):	
3" nozzle (on the cover)	26 3/4
4" nozzle	16
6" nozzle	17
8" nozzle	17 1/4

Capacity (gallons)

Working	1,500
Total Volume	1,810
Head Volume	255
Per Inch Straight Side	20

Weight (pounds)

Bare Body (no accessories)	12,500
Complete (with drive system)	14,200
Add for Shipping	1,500

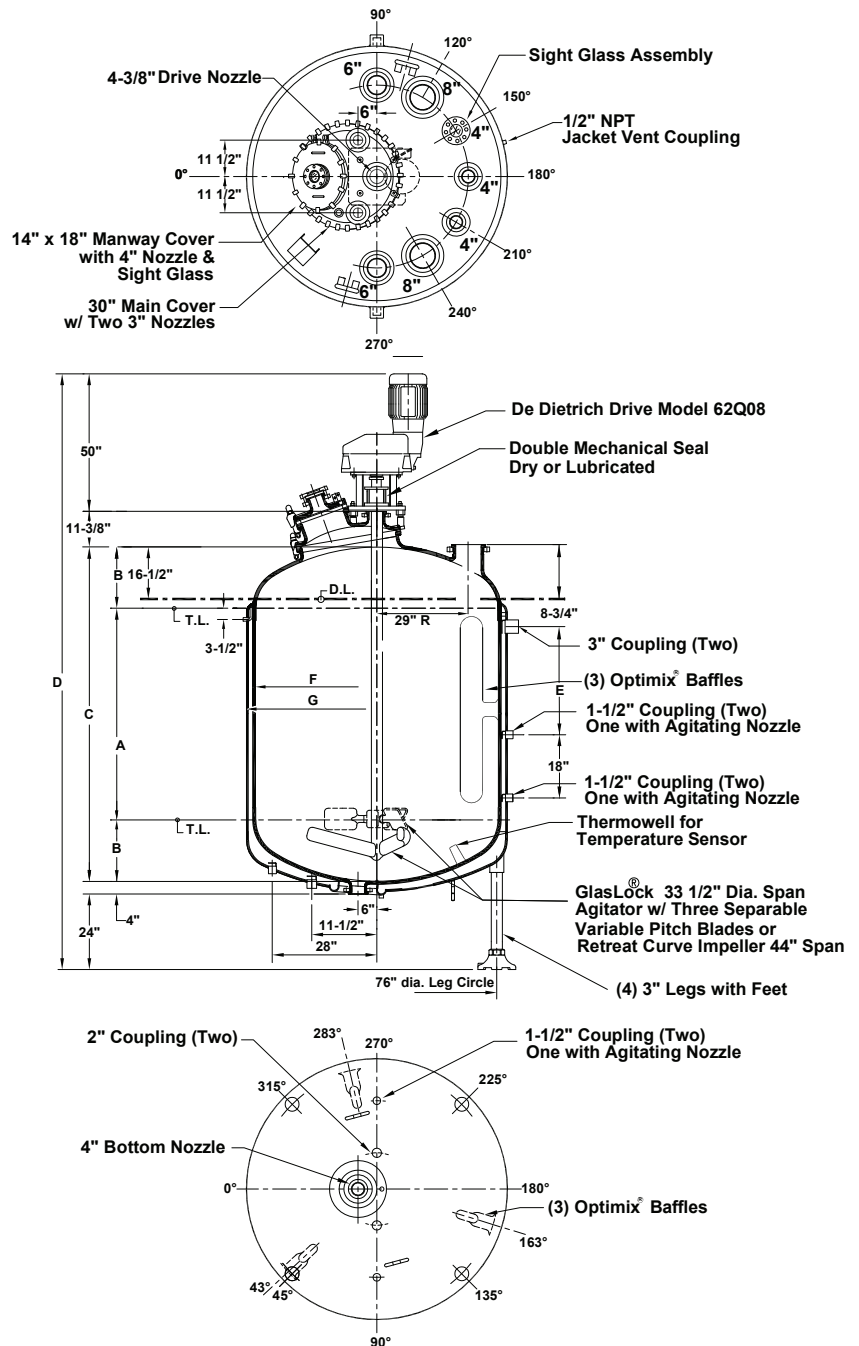
Series 60 Drive

Motor	15HP
Motor Type	XP
Drive Size	62Q08

- Three Year Warranty
- Low Noise Level
- Helical Gearing

GlasLock® Agitator or Retreat Curve Impeller

Span (inches)	33 1/2 / 44
Speed (standard speed)	125 RPM
	<ul style="list-style-type: none"> • Clockwise or Counterclockwise Rotation • Optional Low Level Agitation



✉ sales@ddpsinc.com ☎ 908 317 2585





SA-2000 OptiMix 2,000 GALLON JACKETED GLASS-LINED STEEL REACTOR

Specifications

Vessel Design Pressure (psig)	100 and F.V.
Jacket Design Pressure (psig)	90 or 90 w/ Int. F.V.
Design Temperature (°F)	500
Jacket Heating Area (sq. ft.)	192

Dimensions (inches)

A	84
B	19 1/2
C	123
D	206 1/4
E	51 1/4
F (I.D.)	76 7/8
G (O.D.)	82 11/16
H (nozzle elevations):	
3" nozzle (on the cover)	26 3/4
4" nozzle	16
6" nozzle	17
8" nozzle	17 1/4

Capacity (gallons)

Working	2,000
Total Volume	2,190
Head Volume	255
Per Inch Straight Side	20

Weight (pounds)

Bare Body (no accessories)	14,350
Complete (with drive system)	16,050
Add for Shipping	1,500

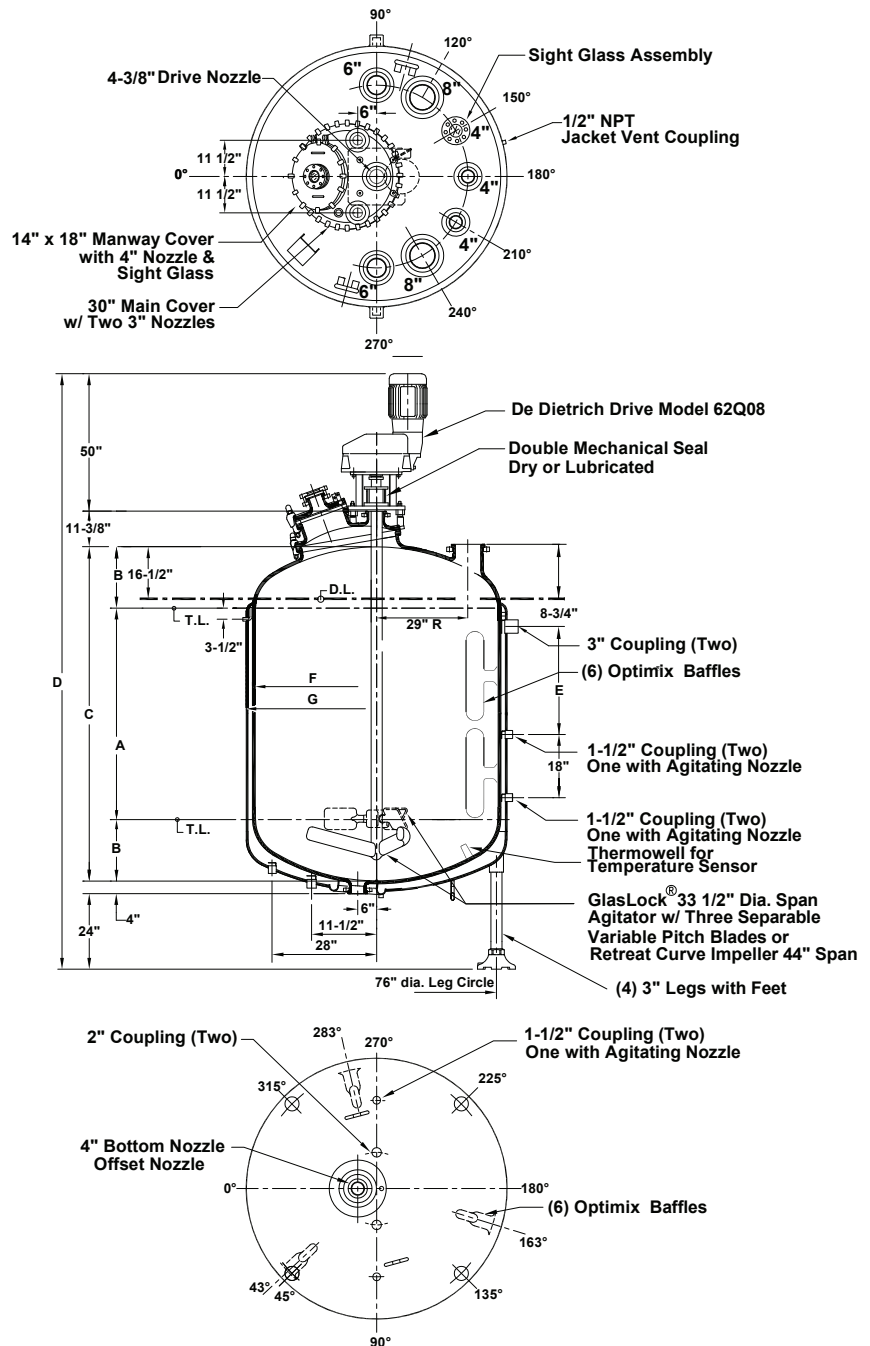
Series 60 Drive

Motor	15HP
Motor Type	XP
Drive Size	62Q08

- Three Year Warranty
- Low Noise Level
- Helical Gearing

GlasLock® Agitator or Retreat Curve Impeller

Span (inches)	33 1/2 / 44
Speed (standard speed)	125 RPM
	• Clockwise or Counterclockwise Rotation
	• Optional Low Level Agitation



✉ sales@ddpsinc.com ☎ 908 317 2585





SA-3000 OptiMix 3,000 GALLON JACKETED GLASS-LINED STEEL REACTOR

Specifications

Vessel Design Pressure (psig)	100 and F.V.
Jacket Design Pressure (psig)	90 or 90 w/ Int. F.V.
Design Temperature (°F)	500
Jacket Heating Area (sq. ft.)	241

Dimensions (inches)

A	76
B	24 1/2
C	125
D	220
E	43
F (I.D.)	96 9/16
G (O.D.)	102 3/8
H (nozzle elevations):	
4" nozzle (on the cover)	18
6" nozzle	18 3/4
8" nozzle	19 1/4

Capacity (gallons)

Working	3,000
Total Volume	3,398
Head Volume	501
Per Inch Straight Side	32

Weight (pounds)

Bare Body (no accessories)	23,350
Complete (with drive system)	25,750
Add for Shipping	1,500

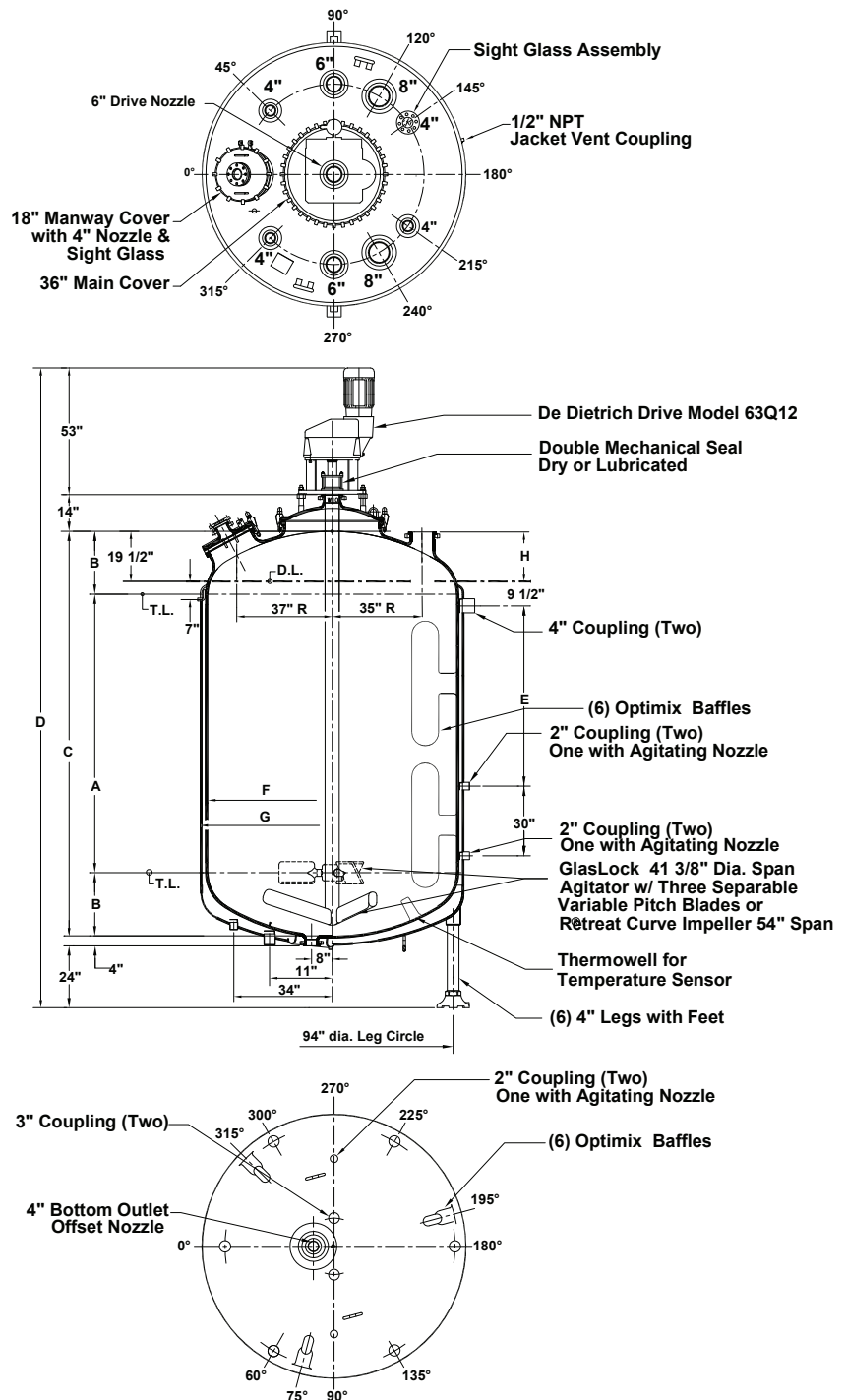
Series 60 Drive

Motor	20HP
Motor Type	XP
Drive Size	63Q12

- Three Year Warranty
- Low Noise Level
- Helical Gearing

GlasLock® Agitator or Retreat Curve Impeller

Span (inches)	41 3/8 / 54
Speed (standard speed)	100 RPM
	<ul style="list-style-type: none"> • Clockwise or Counterclockwise Rotation • Optional Low Level Agitation



✉ sales@ddpsinc.com ☎ 908 317 2585





SA-4000 OptiMix 4,000 GALLON JACKETED GLASS-LINED STEEL REACTOR

Specifications

Vessel Design Pressure (psig)	100 and F.V.
Jacket Design Pressure (psig)	90 or 90 w/ Int. F.V.
Design Temperature (°F)	500
Jacket Heating Area (sq. ft.)	310

Dimensions (inches)

A	108
B	24 1/2
C	157
D	256
E	63
F (I.D.)	96 9/16
G (O.D.)	102 3/8
H (nozzle elevations):	
4" nozzle (on the cover)	18
6" nozzle	18 3/4
8" nozzle	19 1/4

Capacity (gallons)

Working	4,000
Total Volume	4,406
Head Volume	501
Per Inch Straight Side	32

Weight (pounds)

Bare Body (no accessories)	28,100
Complete (with drive system)	31,050
Add for Shipping	1,500

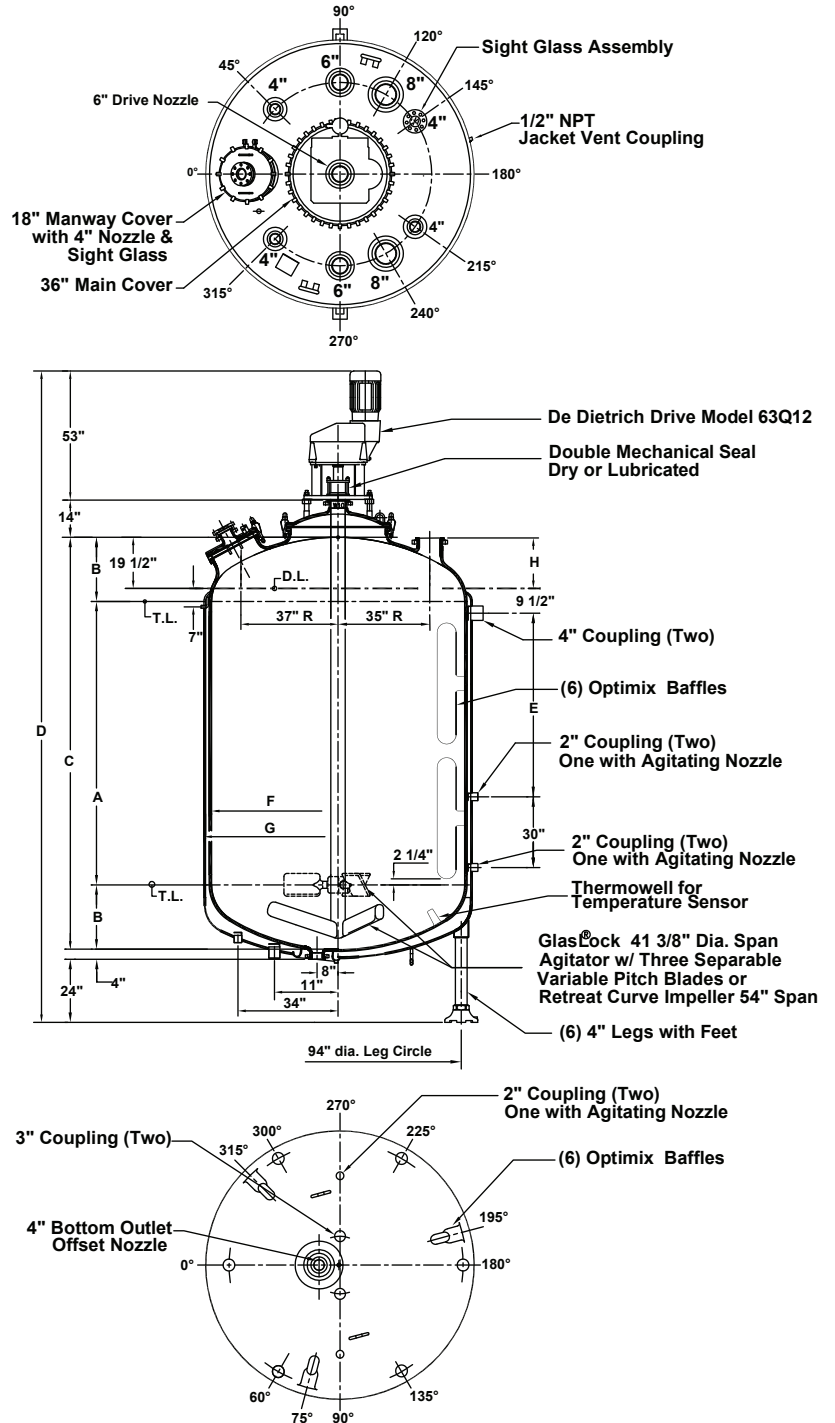
Series 60 Drive

Motor	20HP
Motor Type	XP
Drive Size	63Q12

- Three Year Warranty
- Low Noise Level
- Helical Gearing

GlasLock® Agitator or Retreat Curve Impeller

Span (inches)	41 3/8 / 54
Speed (standard speed)	100 RPM
	<ul style="list-style-type: none"> • Clockwise or Counterclockwise Rotation • Optional Low Level Agitation



✉ sales@ddpsinc.com ☎ 908 317 2585

